

50mm Trackballs
Stainless Steel
Vandalproof

TBS50F2 (Phenolic resin ball)

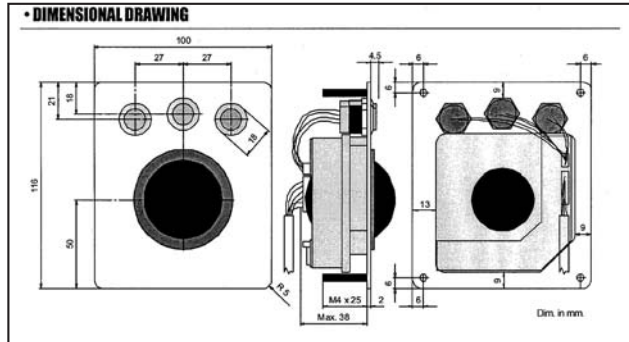


SBS50F2 (stainless steel ball)



FEATURES

- Sealing to IP65 static (ball at rest)
- PS/2 or USB Compatible
- 50mm dia. Trackball (stainless steel or phenolic resin)
- Three IP65 sealed pushbutton switches



General Description

The TBS50F2 and SBS50F2 are highly ruggedised, professional trackballs. The units are specially designed for harsh industrial environment applications. The self-adjusting PTFE seal of the trackball guarantees an IP65 static (ball at rest) protection grade. These trackballs have a large diameter ball, which makes them ideally suited for all applications which demand accurate pointer control.

These trackballs have an all metal look, the front being made of brushed stainless steel. They have three anti-vandal, stainless steel, IP65 sealed pushbutton switches.

The TBS50F2 has a black phenolic resin ball.

The SBS50F2 has a stainless steel ball.

Specification

Carrier Plate: Brushed Stainless steel (AISI 316)
Ball diameter: 50.8mm
Resolution: 155 pulses per ball revolution
Tracking force: nom. 50 grams (TBS50F2)
nom. 100 grams (SBS50F2)
Lifetime: > 2 million ball revolutions
Protection class: IP65 static
Operating Temp.: 0°C to +70°C

Pushbutton Switches:

Contact material: gold plated
Travel: 1.3mm
Operation force: typ. 4N
Lifetime: 1 million operations

Phenolic Resin Ball

Protocol	Part Number
PS/2	TBS50F2
USB	TBS50F2

Stainless Steel Ball

Protocol	Part Number
PS/2	SBS50F2
USB	SBS50F2