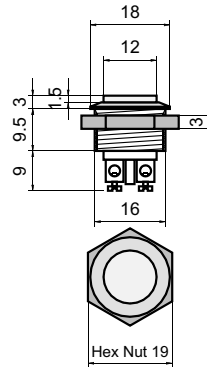


• VANDALPROOF PUSHBUTTON SWITCHES

We offer IP65 sealed, stainless steel pushbutton switches which can be connected to our trackball modules as external “mouse button” switches.

Sealing	IP65
Material	Stainless steel (brushed)
Mechanical life	1 mil. cycles min.
Contacts	gold plated
Travel	1,3 mm.
Operating force	4N typ.
Initial contact resistance	50mOhms max.
Operating temperature	-20°C to +60°C



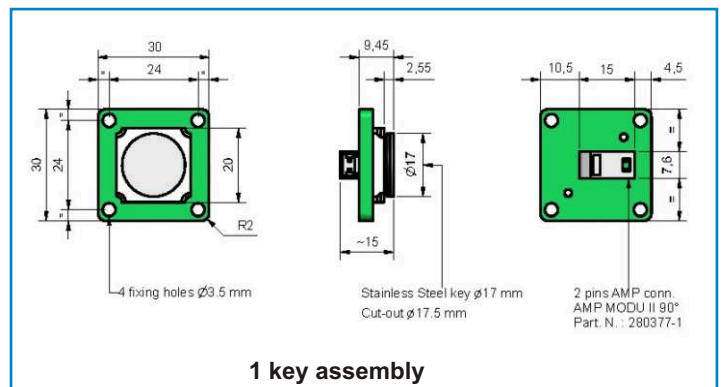
Ordering info

Pushbutton switch **AV0630D940**

• VANDALPROOF SHORT TRAVEL SWITCHES

We offer IP68 sealed, stainless steel short travel switches as 1 key or as 3-key assembly.

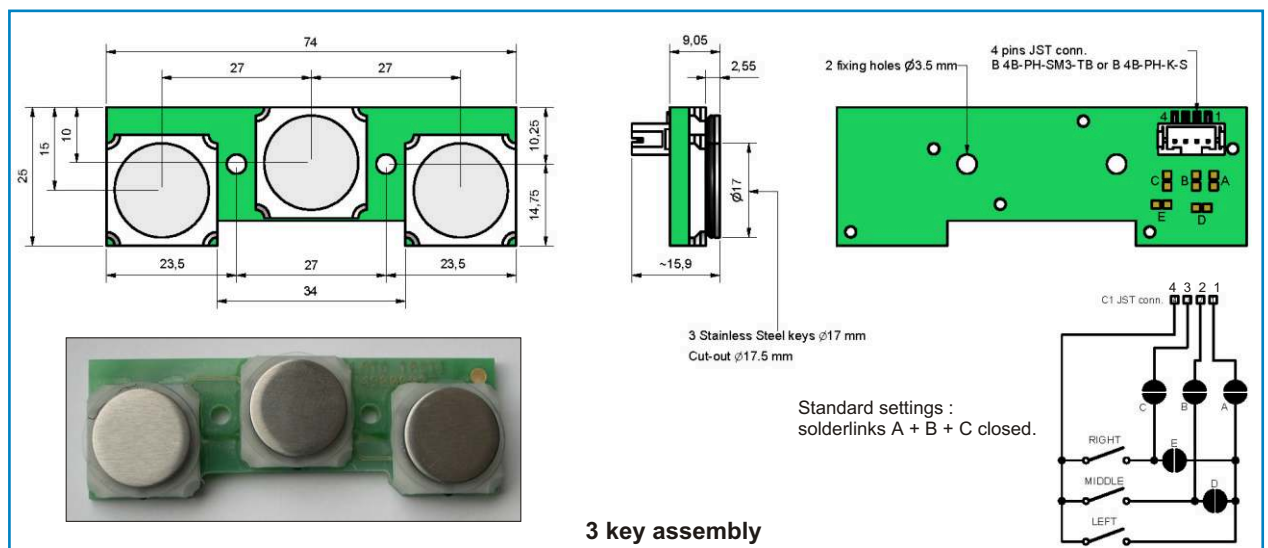
Sealing	IP68
Material	Stainless steel (brushed)
Mechanical life	3 mil. cycles min.
Contacts	stainl. steel dome on gold
Travel	0,5 mm.
Operating force	4N typ.
Initial contact resistance	50mOhms max.
Operating temperature	-20°C to +60°C
Proposed panel thickness	2 mm



1 key assembly

Ordering info

1 key assembly	AV1681
3 key assembly	AV3681



3 key assembly

TRACKBALL ACCESSORIES

• ANTI-VANDAL BACKPLATE

This steel backplate can be used with the 25 mm and 38 mm trackball modules (GK25, GS25, GK38 & GS38) and will limit the hostile impacts on the top of the ball to an acceptable level and protect shafts, bearings and other components of the unit. Typical applications are in public information kiosks or consoles. The components in this kit have been selected in a way that the kit can be mounted on all existing panels.

Backplate for 25 mm trackball



Standard components of the I-25AVK Anti-Vandal kit:

- 1 x Backplate,
- 2 x Lock Washers,
- 2 x Hexagon Spacers,
- 2 x M3 nuts

Figure.1 shows an exploded view of the parts supplied with the GK25 anti-vandal kit and highlights the order in which they are mounted in the user panel. The GK25 anti-vandal kit is designed for use in conjunction with 2 off M3 x 12mm mounting studs fitted to the underside of the user panel.

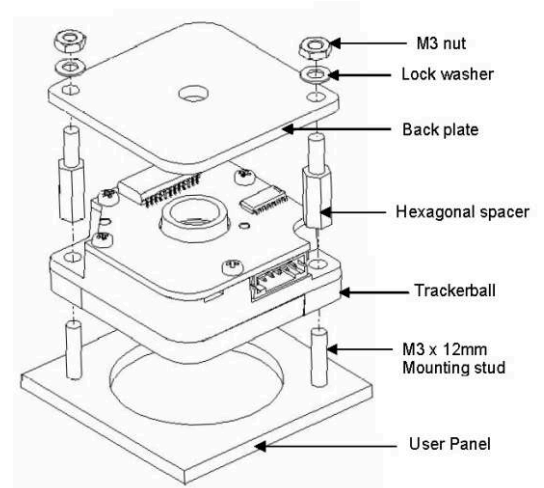
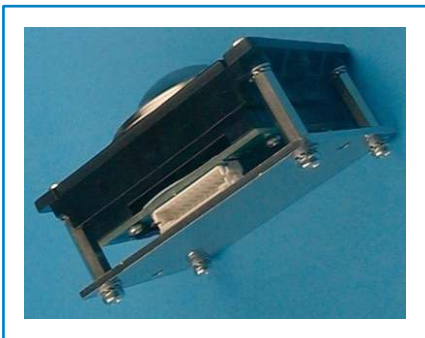


Fig. 1 : assembly procedure

Backplate for 38 mm trackball



Standard components of the AP38-1 Anti-Vandal kit:

- 1 x Backplate,
- 8 x Washers,
- 8 x Lock Washers,
- 4 x Hexagon Spacers,
- 4 x Screw M3x10.

Figure.1 shows the parts supplied with the GK38 anti-vandal kit and highlights the order in which they are mounted in the user panel. The GK38 anti-vandal kit is designed for use in conjunction with 4 off M3 x 10mm mounting studs fitted to the underside of the user panel.

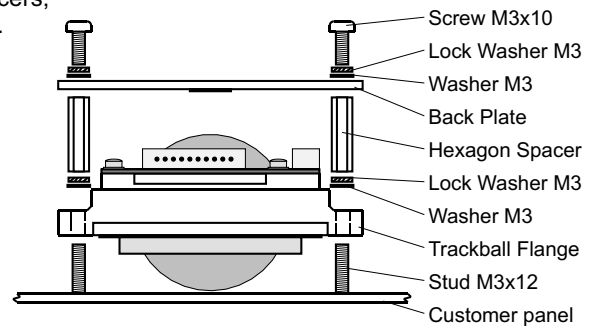


Fig. 1 : assembly procedure

Ordering info

Backplate for 25mm trackball	I-25AVK
Backplate for 38mm trackball	AP38-1

AVisum Pty Ltd, 2A Angas Street, Meadowbank, NSW 2114 Australia

Phone: +61 2 9809 5944 Fax: +61 2 9809 5264

Email: sales@avisum.com.au Web: www.avisum.com.au